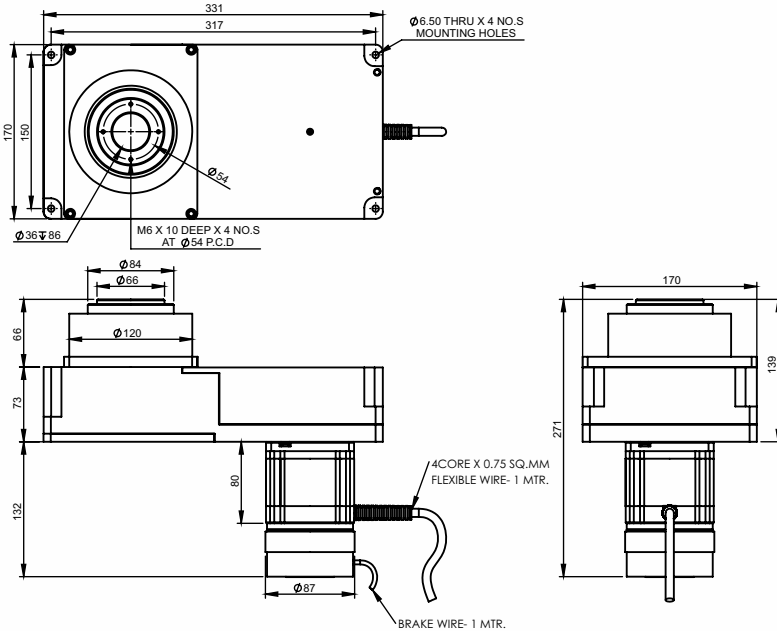


SPECIFICATION SHEET
Bholanath

Rotary Indexing System
BH-RIS-02-C(M)

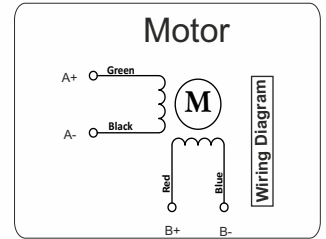


Stepper Motor Based Highly Accurate Rotary Indexing System Models- BH-RIS-02 -C Bholanath Rotary Indexing Systems are Used in all Automation Applications, Machine Tools and General Industry Applications Bholanath Manufacture Stepper Motor, Stepper Drives ,Power Supplies & Stepper Drive Controllers That Perfectly Compliment Rotary Indexing Systems.



BRAKE DETAILS :
Torque : 5 Nm
Voltage : 24 V
Current at 20°C - 0.83 Amps
Power Consumption at 20°C : 19.1 Watts

White \ominus +
Black \ominus -
24VDC



Indexing Degree :- 0.6°..3°..30°,45°,60°, 90°...180°...360°...
{n(3)/1.8} where n is Indexing degree.

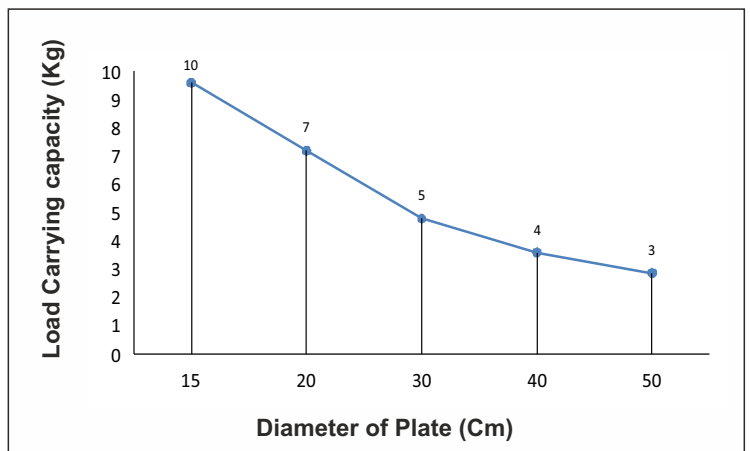
Example:- $n=270^\circ$
 $= (270 \times 3) / 1.8$
 $= 450$ (Hence 270° indexing is possible)

Note:- Continuous Movement up to 100RPM.

TECHNICAL DATA



SPECIFICATION	Model No	BH-RIS-02-C(M)
1	Maximum load carrying capacity(kg)	10
2	Output RPM	0 to 100
2	Gear Ratio of Indexing Table	3:1
3	Positioning Accuracy	± 1 Degree
4	Degree Of protection	IP 40
5	Total Weight Of Rotary Indexing (KG)	13



Model No:- BH-RIS-02-C (M)



Bholanath Precision Engineering Pvt.Ltd.

11,Kembros Ind.Estate , Sonapur Lane , Bhandup (W),Mumbai - 400078.
 Telefax/Phone : 25662856/25664338/67993260 Email : support@bholanath.in
 Mobile No : 9920903825/9821671733/9930514603/9819515543/9323166582.